

M890AV-SS™ Image Intensifier (MX-10160)

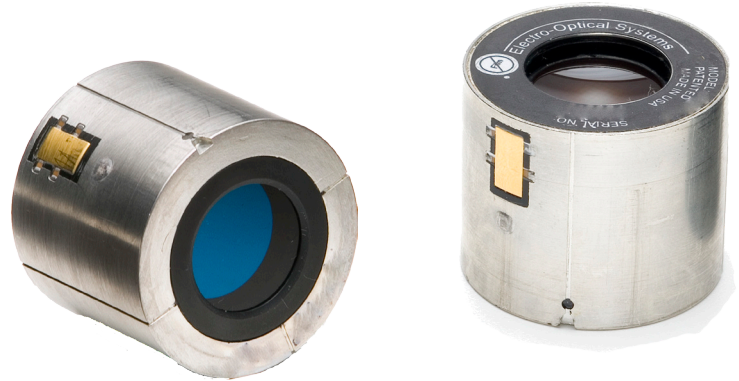
Gen III Night Vision Image Intensifier (I²) Tube



*M890AV is used in
the L-3 EOS M949™
(AN/AVS-6/9)*



The M890AV-SS Image Intensifiers are equivalent to the U.S. MX-10160 configuration.



BENEFITS:

- Gen III photocathode which is very sensitive to low levels of visible and near-infrared light
- Electro-Magnetic shielding
- Aviator-grade blemish specification designed for aviator night vision goggles
- U.S. manufactured Generation III image intensifier (I²) tube

FEATURES:

- One year warranty standard
- Thin-filmed ion barrier to greatly extend Gen III I² tube life versus Gen II tubes
- The M890AV image intensifier tube is L-3 EOS' commercial version of MX-10160
- Used in the L-3 EOS M949™ (AN/AVS-6/9) aviator night vision goggle
- This image intensifier is equivalent to U.S. Military configuration MX-10160



M890AV-SS™ (MX-10160) I² TUBE TECHNICAL SPECIFICATIONS BY MODEL:

PERFORMANCE PARAMETERS	M890AV-SS1400™ (P/N 245100-SS1400)	M890AV-SS1600™ (P/N 245100-SS1600)	M890AV-SS001™ (P/N 245125-SS001)						
FIGURE OF MERIT (FOM) FOM = SNR x RESOLUTION	675 FOM (Min) 1400 FOM (Max)	1094 FOM (Min) 1600 FOM (Max)	Unlimited FOM Thin-Filmed						
RESOLUTION (lp/mm)	57 (Min)	57 (Min)	57 (Min)						
SIGNAL TO NOISE RATIO	18.0 (Min)	19.2 (Min)	19.2 (Min)						
HALO mm	.85 (Min) to 1.25 (Max)	.85 (Min) to 1.25 (Max)	1.0 (Max)						
PHOTOCATHODE SENSITIVITY 2856° K (µA/lm)	1200 (Min)	1500 (Min)	1500 (Min)						
PHOTOCATHODE SENSITIVITY at 880nm (mA/W)	72 (Min)	77 (Min)	77 (Min)						
PHOTOCATHODE SENSITIVITY at 830nm (mA/W)	N/A	190 (Min)	190 (Min)						
EBI (x10 ⁻¹¹ phot)	5.0 (Max)	5.0 (Max)	2.5 (Max)						
LUMINANCE GAIN @ 2x10 ⁻⁶ fc (fL/fc)	40000 (Min) to 70000 (Max)	40000 (Min) to 70000 (Max)	40000 (Min) to 70000 (Max)						
LUMINANCE GAIN @ 2x10 ⁻⁴ fc (fL/fc)	5000 (Min) to 20000 (Max)	10000 (Min) to 20000 (Max)	10000 (Min) to 20000 (Max)						
OUTPUT BRIGHTNESS @ 1 and 20 fc (fL)	1.5 (Min) to 4.0 (Max)	2.0 (Min) to 4.0 (Max)	2.0 (Min) to 4.2 (Max)						
RELIABILITY (HOURS)	10000	10000	10000						
HIGH-LIGHT RESOLUTION @ 20 FC (LP/MM)									
MTF @ 2.5 LP/MM	86%	Info Only	92%						
MTF @ 7.5 LP/MM	65%	Info Only	80%						
MTF @ 15 LP/MM	35%	61%	61%						
MTF @ 25.0 LP/MM	16%	38%	38%						
MAXIMUM SPOTS ALLOWED IN EACH ZONE									
	Zone			Zone			Zone		
SPOT SIZE (IN.)	1	2	3	1	2	3	1	2	3
>.009 OR LARGER	0	0	0	0	0	0	0	0	0
>.006 -.009	0	0	0	0	0	0	0	0	0
>.003 -.006	0	0	4	0	0	4	0	0	4
BRIGHT SPOTS	0	0	0	0	0	0	0	0	0
INPUT OPTIC	Glass								
CATHODE TYPE	Gallium Arsenide								
PHOSPHOR	P43								
IMAGE OUTPUT	Inverting								
STANDARD TUBE WARRANTY	1 Year								

Specifications subject to change without notice

M890AV-SS (MX-10160) Oct 2010



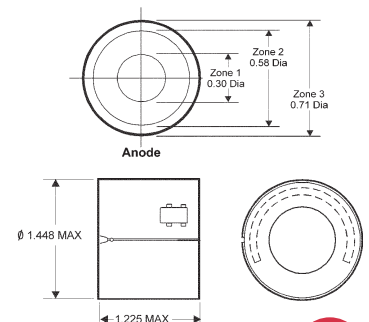
Cleared by DoD/OSR for Public Release under OSR Ref. 10-S-3177 on October 4, 2010.



Summit Night Vision Group LLC, Fort Worth, Texas, USA

Summit Night Vision Group is a U.S. Service-Disabled, Veteran-Owned Small Business.

Summit Night Vision Sales: 817-475-0142 Sales@SummitNightVision.com



communications
Electro-Optical Systems